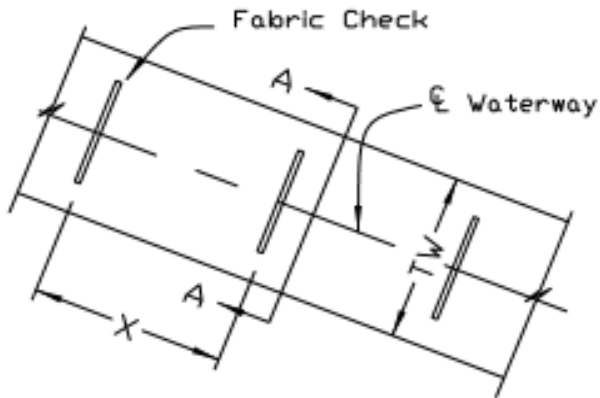
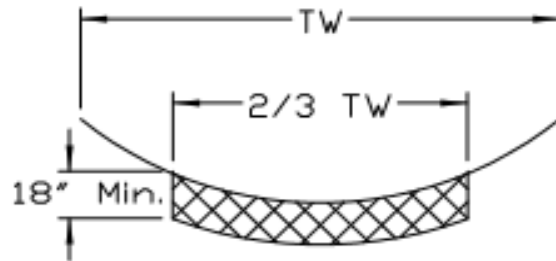


FABRIC CHECKS FOR WATERWAYS



PLAN VIEW



SECTION A-A

WATERWAY NUMBER _____

FROM STATION _____

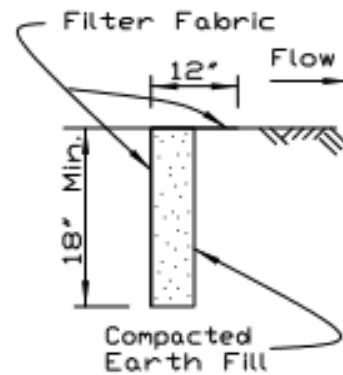
TO STATION _____

CHECK SPACING (X) _____

CHECK WIDTH (2/3 TW) _____

BILL OF MATERIALS

Filter Fabric _____ Sq. Yds.
 (_____ Pieces, @ _____ In. x 30 In.)

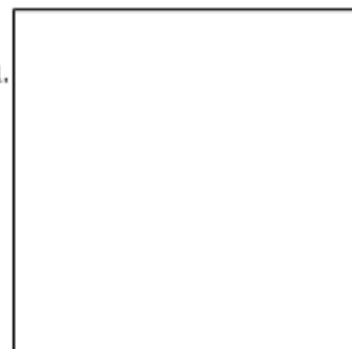


TYPICAL SECTION

NOTES:

1. Excavate a trench 18 inches deep, wide enough to allow hand compaction of backfill.
2. Place the fabric against the upstream wall of the trench. Backfill the trench in hand compacted, 6 inch lifts. Lay 12 inch fabric flap downstream.

LOCATION PLAN



County _____

Sec. _____ T _____ R _____

REFERENCE

Project _____

Designed _____ Date _____

Checked _____ Date _____

Approved _____ Date _____



STANDARD DWG. NO.
 IL-542

SHEET 1 OF 2

DATE 8-17-94

FABRIC CHECKS FOR WATERWAYS

FABRIC CHECK SPACING (FT.)

WATERWAY GRADE %	MAXIMUM SPACING FT.
0 - 1.5	100
1.5 - 3.0	75
> 3.0	50

FABRIC QUANTITIES PER CHECK IN SQUARE YARDS

CHECK LENGTH (FT.)	15	18	21	24	27	30	33	36	39
FABRIC QUANTITY (SQ. YDS)	4.2	5.0	5.8	6.7	7.5	8.3	9.2	10.0	10.8

FILTER FABRIC SPECIFICATION

1. Openings in filter fabric shall be equal to or smaller than the openings in a #40 sieve (0.42mm).
2. Filter fabric shall have a tear strength in excess of 50 pounds.

REFERENCE
 Project _____
 Designed _____ Date _____
 Checked _____ Date _____
 Approved _____ Date _____



STANDARD DWG. NO.
 IL-542
 SHEET 2 OF 2
 DATE 8-17-94