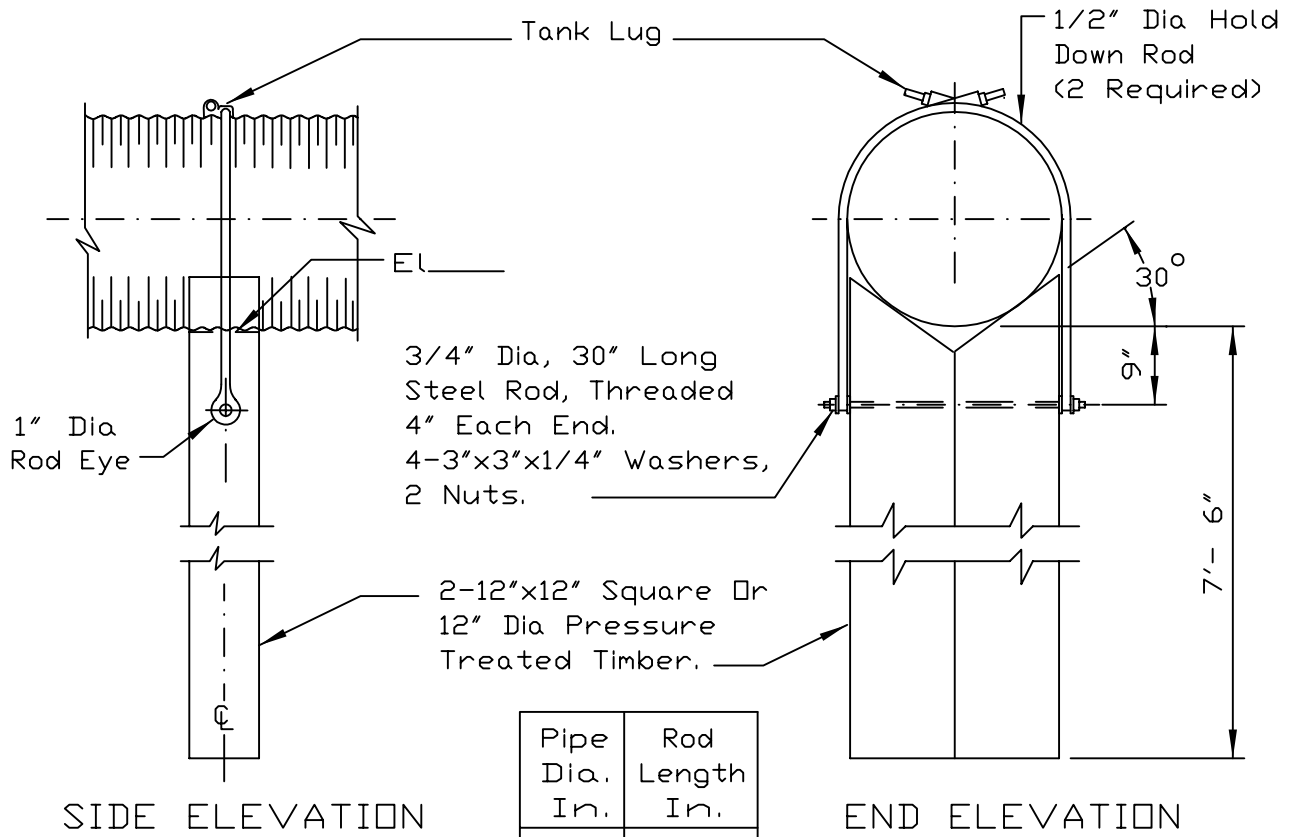
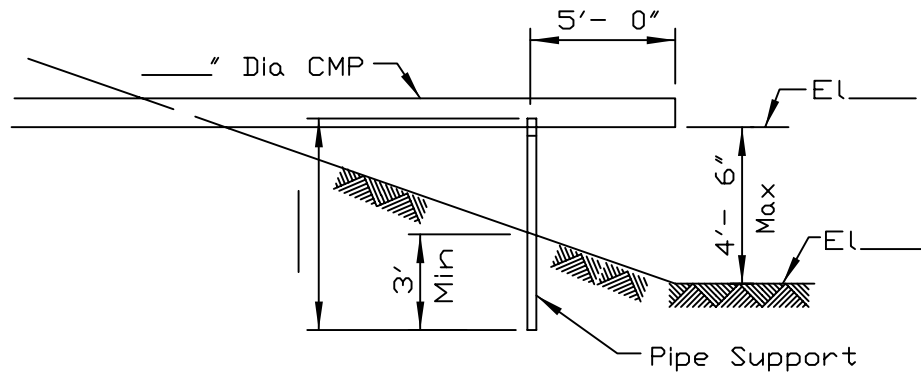


# TIMBER PROP FOR 18"- 30" DIAMETER CMP



Pipe Dia. In.	Rod Length In.
18	43
21	47
24	51
30	60

HOLD DOWN ROD DIMENSIONS



PROFILE ALONG  $\text{C}$  OF OUTLET END OF PIPE

REFERENCE  
 Project \_\_\_\_\_  
 Designed \_\_\_\_\_ Date \_\_\_\_\_  
 Checked \_\_\_\_\_ Date \_\_\_\_\_  
 Approved \_\_\_\_\_ Date \_\_\_\_\_



STANDARD DWG. NO.  
 IL-581  
 SHEET 1 OF 1  
 9-30-93