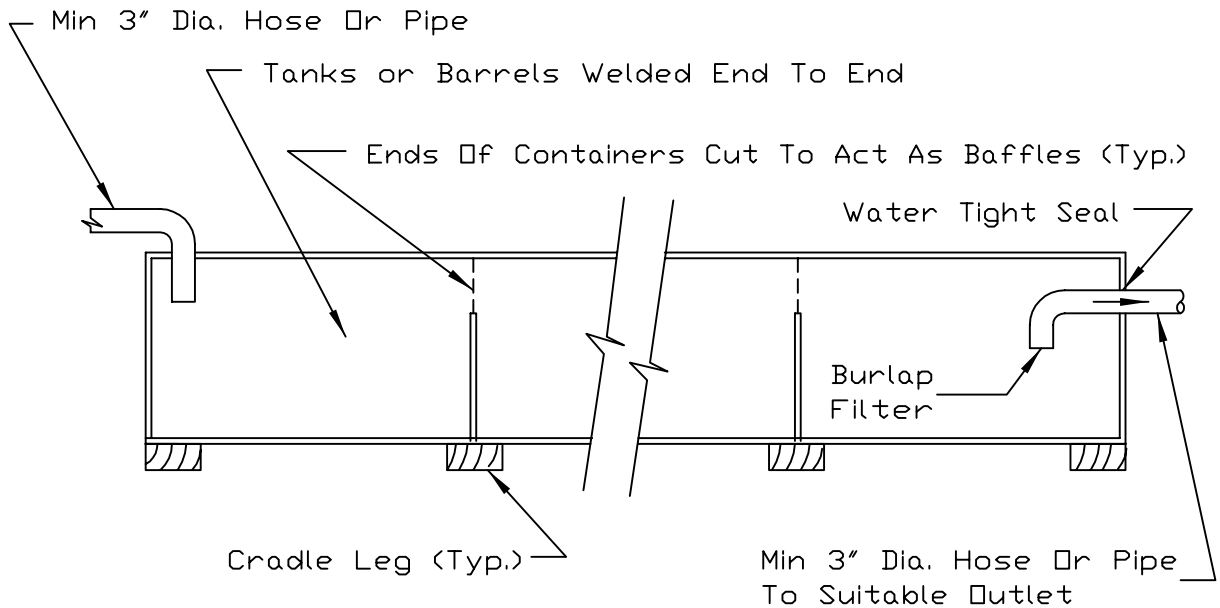
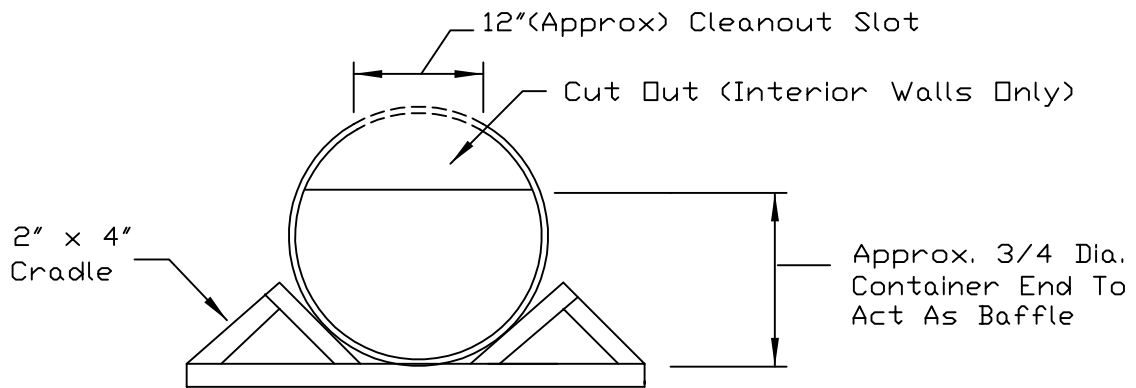


PORTABLE SEDIMENT TANK PLAN



SECTION ON CENTERLINE



TYPICAL SECTION A-A

NOTES:

1. Clean out the sediment tank when one-third filled with sediment.
2. Steel drums are used as an example due to their ready availability. Any tanks may be used, providing that the volume requirements are met.
3. All sediment collected in the tank shall be disposed of in a sediment trapping device or as approved by the engineer/inspector.

Volume required in tank: _____ cubic feet.

REFERENCE	
Project	_____
Designed	_____ Date _____
Checked	_____ Date _____
Approved	_____ Date _____



STANDARD DWG. NO.
IL-595
SHEET 1 OF 1
DATE 3-3-95