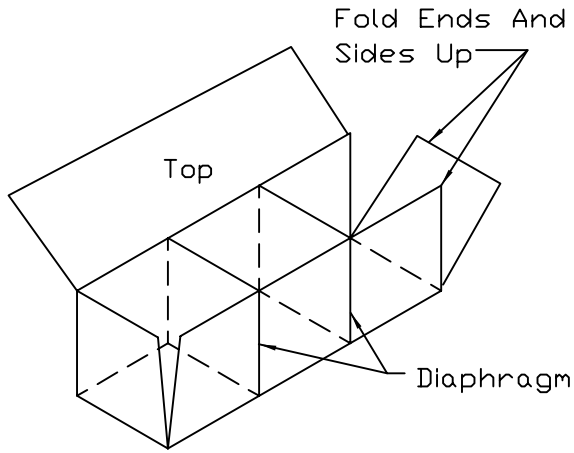
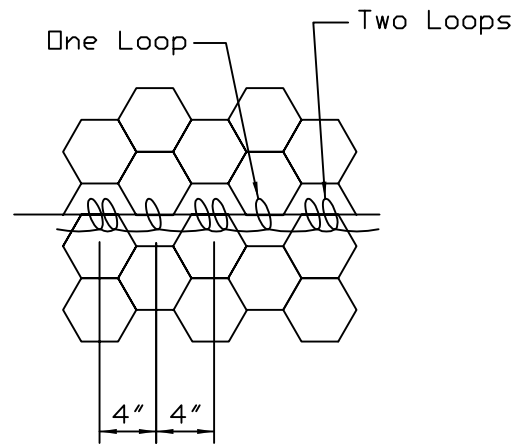


STRUCTURAL STREAMBANK STABILIZATION - GABIONS

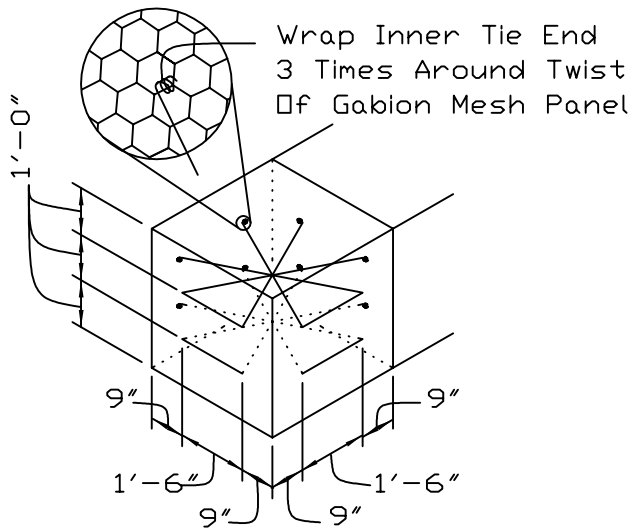
ASSEMBLY AND LACING DETAILS



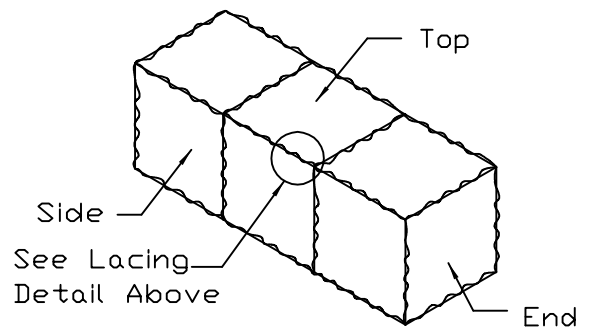
ASSEMBLY DETAIL



LACING DETAIL



INNER TIE WIRE DETAILS



WIRE LACING DETAIL

NOTES

1. The ends of a lacing wire will be secured by looping it thru the mesh and twisting. Proceed to lace with alternate two loops and one loop at approximately 4 inch intervals.
2. Other lacing methods may be used if recommended by the manufacturer and approved by the engineer/inspector.
3. The "X" shaped inner tie may be twisted at the "X" to tighten, if placed too loosely.

REFERENCE	
Project	_____
Designed	_____ Date _____
Checked	_____ Date _____
Approved	_____ Date _____



Natural Resources Conservation Service

NRCS

STANDARD DWG. NO.	IL-645
SHEET	1 OF 1
DATE	5-18-94