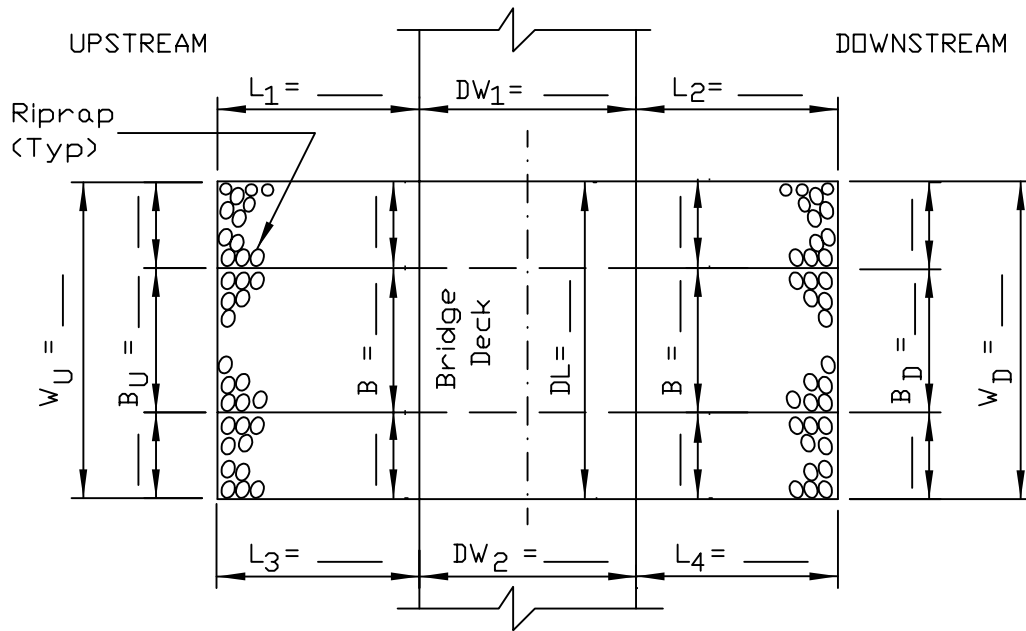
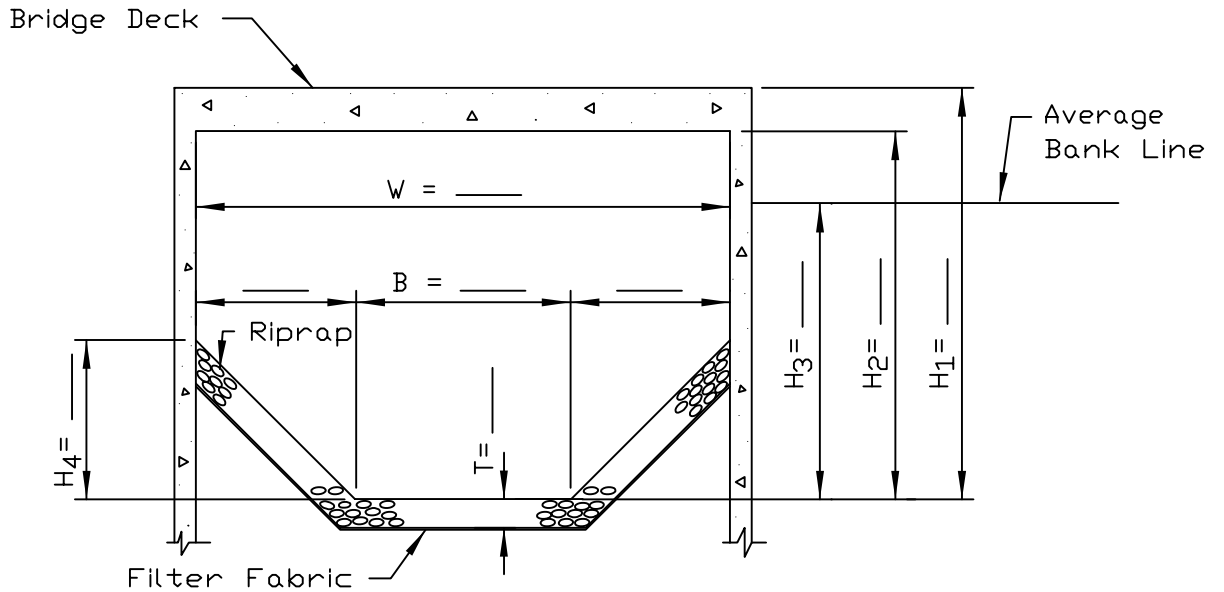


BRIDGE SCOUR PROTECTION



PLAN



SECTION ON CENTERLINE

NOTES:

1. The filter fabric shall meet the requirements for the following specification 592 GEOTEXTILE table I, II OR III .
2. The rock riprap shall meet IDOT requirement for the following gradation: RR ___ Quality ___ .
3. The riprap shall be placed according to construction specification 61 LOOSE ROCK RIPRAP. The rock may be equipment placed.

REFERENCE	
Project	_____
Designed	_____ Date _____
Checked	_____ Date _____
Approved	_____ Date _____



NRCS

Natural Resources Conservation Service

STANDARD DWG. NO.	IL-700
SHEET	1 OF 1
DATE	9-15-93