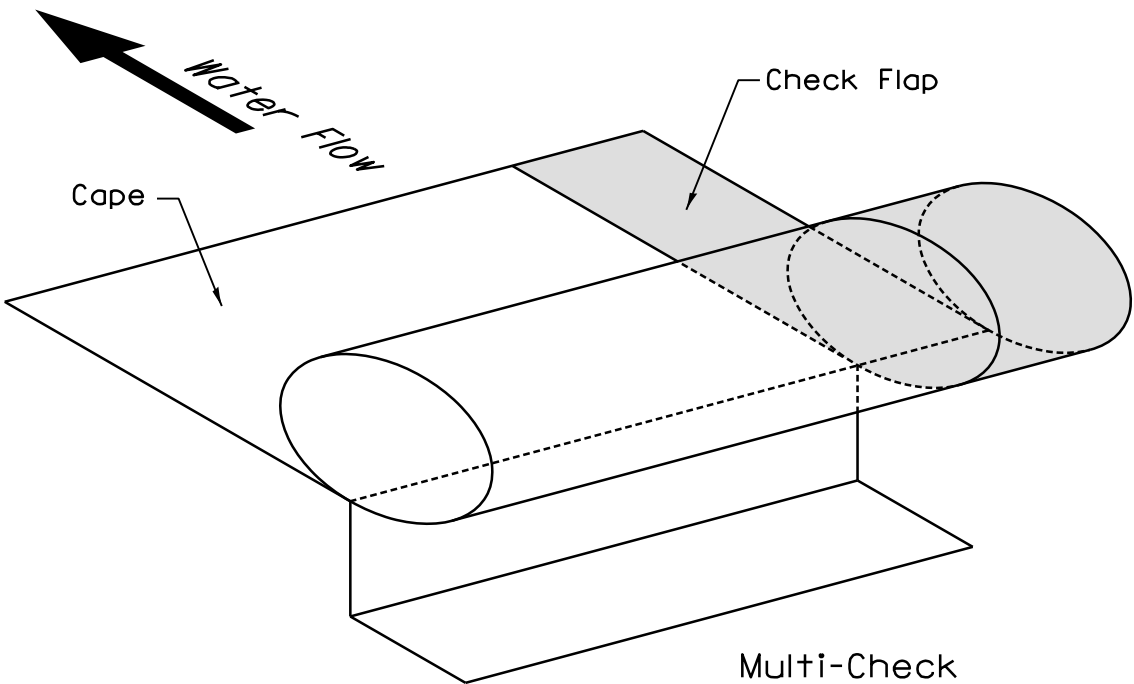
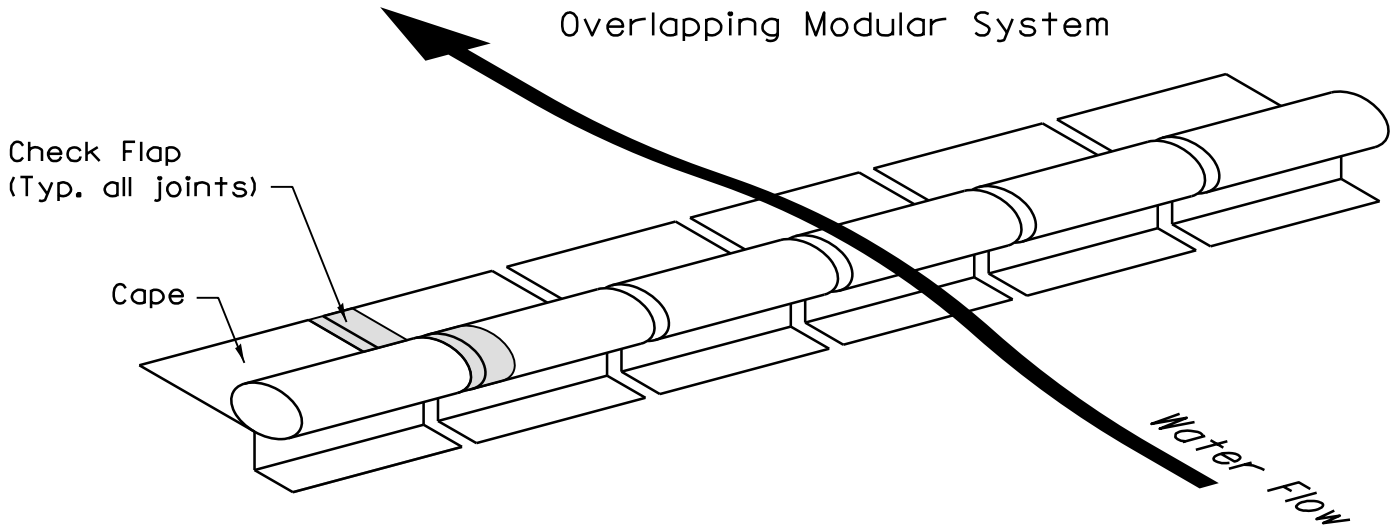


VEGETATED DITCH CHECK



REFERENCE	
Project	_____
Designed	_____
Checked	_____
Approved	_____
Date	_____
Date	_____
Date	_____



STANDARD DWG. NO.
IUM-514
SHEET 1 OF 1
DATE 6-30-11