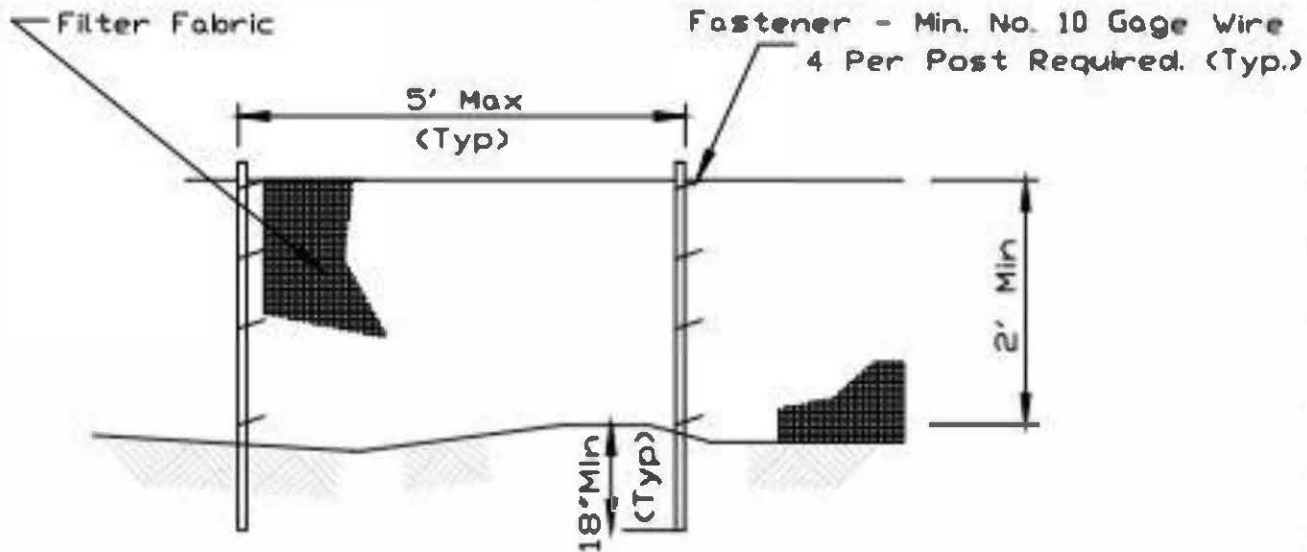
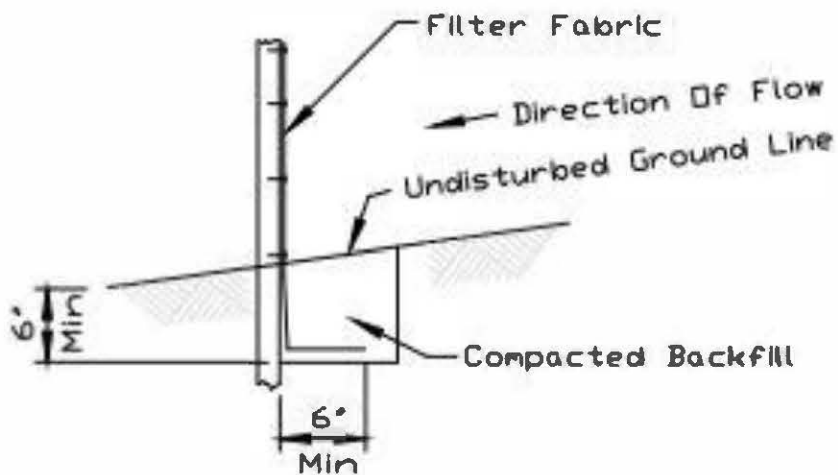


SILT FENCE PLAN



ELEVATION



FABRIC ANCHOR DETAIL

NOTES:

1. Temporary sediment fence shall be installed prior to any grading work in the area to be protected. They shall be maintained throughout the construction period and removed in conjunction with the final grading and site stabilization.
2. Filter fabric shall meet the requirements of material specification 592 Geotextile Table 1, class 2 based upon performance needed.
3. Fence posts shall be either standard steel post or wood post with a minimum cross-sectional area of 2' x 2' nominal size.

REFERENCE		
Project	_____	Date _____
Designed	_____	Date _____
Checked	_____	Date _____
Approved	_____	Date _____



STANDARD DWG NO.
IUM-620
SHEET 1 OF 2
DATE 3-16-12