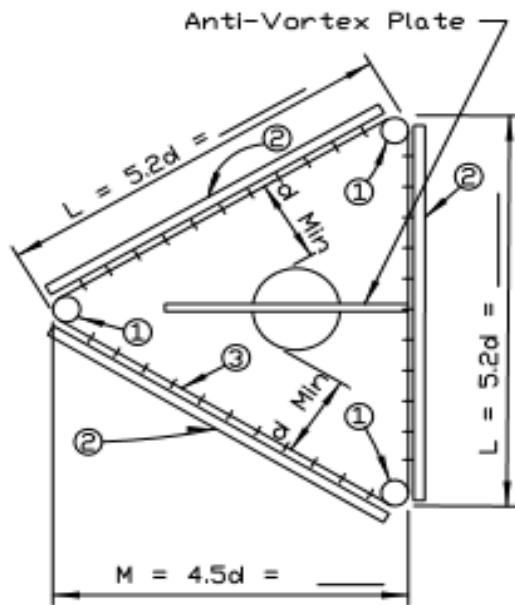
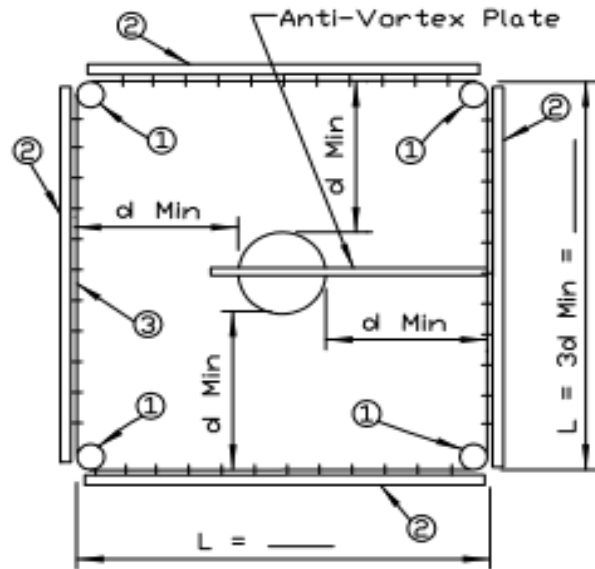


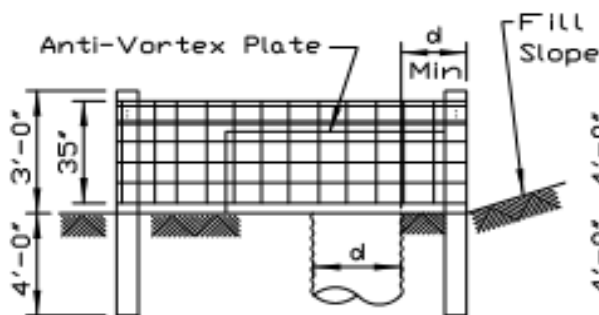
# TRASH RACKS FOR PIPE DROP INLET



PLAN

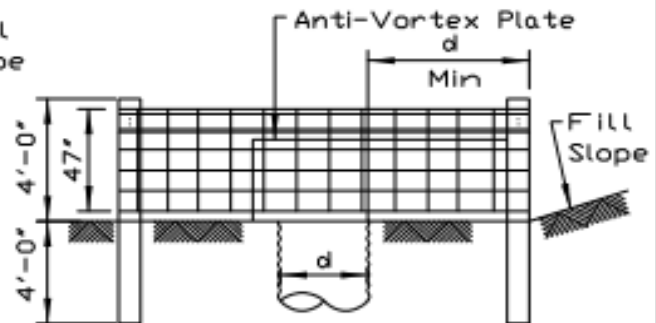


PLAN



ELEVATION

NOTE:  
Triangle use limited to:  
1. Stage of 2'-6" maximum  
2. Riser dia. of 2'-0" maximum



ELEVATION

NOTE:  
Square use limited to:  
1. Stage of 3'-6" max. with 47" fence  
2. Riser dia. of 4'-0" maximum

REFERENCE  
Project \_\_\_\_\_  
Designed \_\_\_\_\_ Date \_\_\_\_\_  
Checked \_\_\_\_\_ Date \_\_\_\_\_  
Approved \_\_\_\_\_ Date \_\_\_\_\_



**NRCS**  
Natural Resource Conservation Service

STANDARD DWG. NO.  
IL-590  
SHEET 1 OF 2  
DATE 4-4-94

## TRASH RACKS FOR PIPE DROP INLET

### BILL OF MATERIALS

MARK	QUANTITY	DESCRIPTION	LENGTH
1		Wood posts, 6' tip pressure treated	
2		Wood plank 2" thick x 6" wide x L, pressure treated	
3	1	Fence, woven wire, No. 9 top & bottom, with 12' stays ___' high	
—	As req'd	Staples - Mark ③ to ① and ②	1 1/4'
—		3/8" dia lag screws with flat washers, mark ② to ①	4 1/2'

NOTE: Fence and staples to be galvanized and lag screws cadmium plated.

REFERENCE  
 Project \_\_\_\_\_  
 Designed \_\_\_\_\_ Date \_\_\_\_\_  
 Checked \_\_\_\_\_ Date \_\_\_\_\_  
 Approved \_\_\_\_\_ Date \_\_\_\_\_



STANDARD DWG. NO.  
 IL-590  
 SHEET 2 OF 2  
 DATE 4-4-94