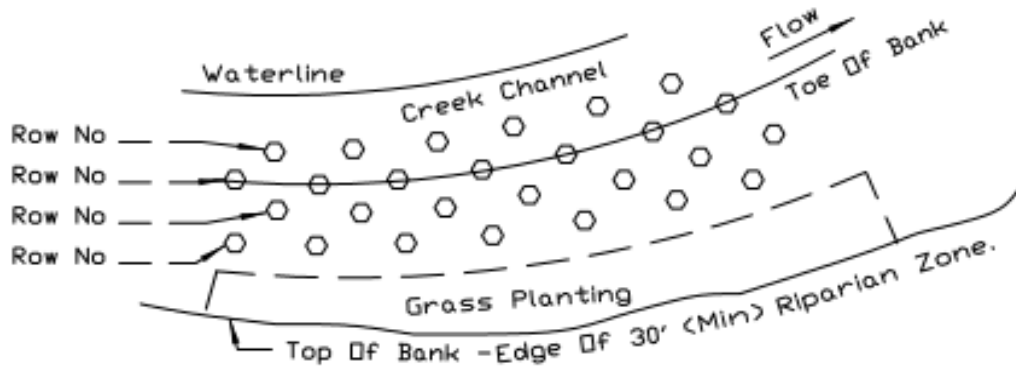


VEGETATIVE STREAMBANK STABILIZATION

SAMPLE SITE PLAN



- - Dormant Cutting
- - Dormant Posts Or Stakes
- - Shrub Or Tree

SITE PLAN

GRASSES					
Reach No.	Length	Area (Sq.Ft.)	Species To Be Seeded	Lbs. Of PLS Per 1000 Sq. Ft.	Total Lbs.

REFERENCE
 Project _____
 Designed _____ Date _____
 Checked _____ Date _____
 Approved _____ Date _____



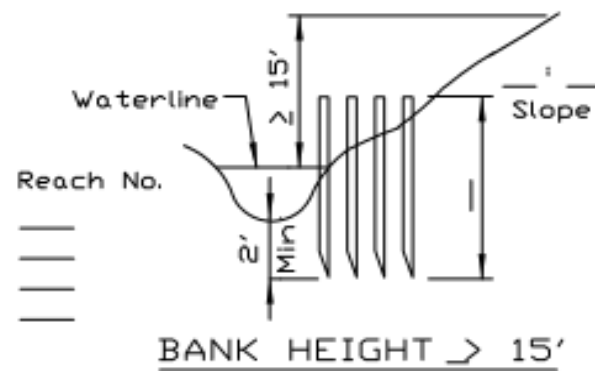
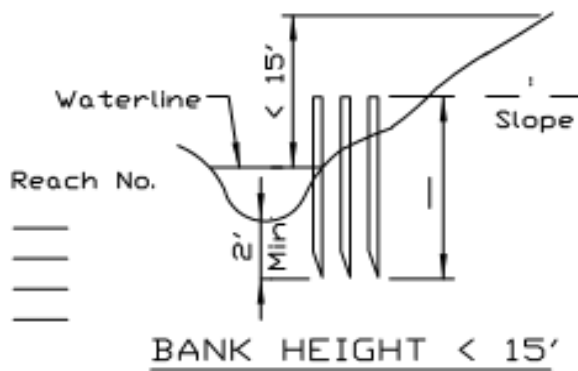
NRCS

Natural Resources Conservation Service

STANDARD DWG. NO.
 IL-695
 SHEET 1 OF 3
 DATE 9-29-93

VEGETATIVE STREAMBANK STABILIZATION

SITE PLAN



WOODY PLANTS

Reach No.	Length (Feet)	Row No.	Species To Plant	Between Row Spacing (Ft.)	In Row Spacing (Ft.)	Number Plants Per Row	Total Plants

REFERENCE
 Project _____
 Designed _____ Date _____
 Checked _____ Date _____
 Approved _____ Date _____



NRCS

Natural Resources Conservation Service

STANDARD DWG. NO.
 IL-695
 SHEET 2 OF 3
 DATE 3-3-95

VEGETATIVE STREAMBANK STABILIZATION

SITE PLAN

RIPARIAN ZONE TREE AND SHRUB PLANTING						
Reach No.	Length (Feet)	Row No.	Species To Plant	Between Row Spacing (Ft.)	In-Row Spacing (Ft.)	Total Plants

REFERENCE
 Project _____
 Designed _____ Date _____
 Checked _____ Date _____
 Approved _____ Date _____



NRCS

Natural Resources Conservation Service

STANDARD DWG. NO.
 IL-695
 SHEET 3 OF 3
 DATE 9-16-93