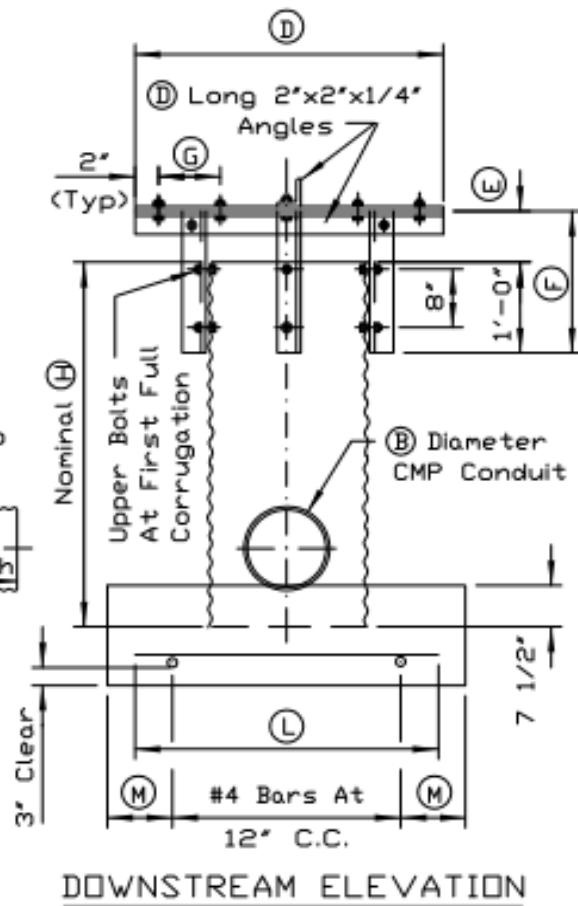
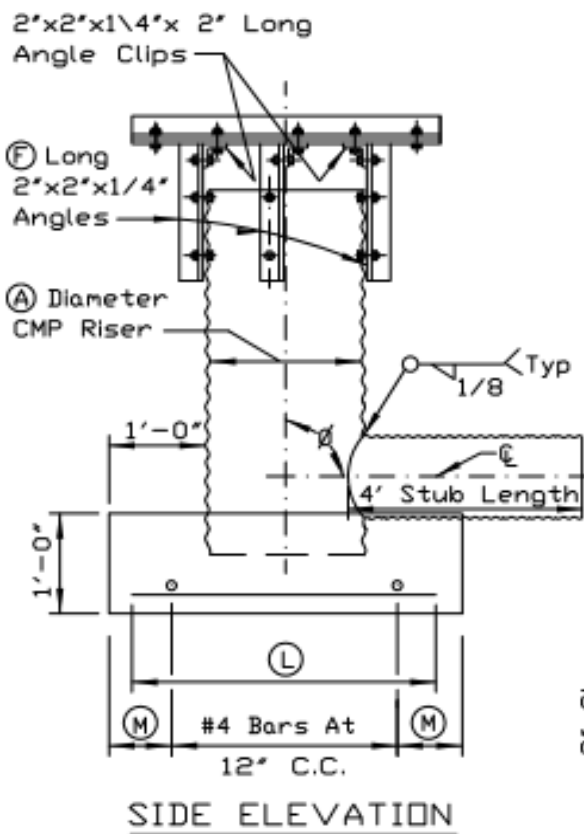
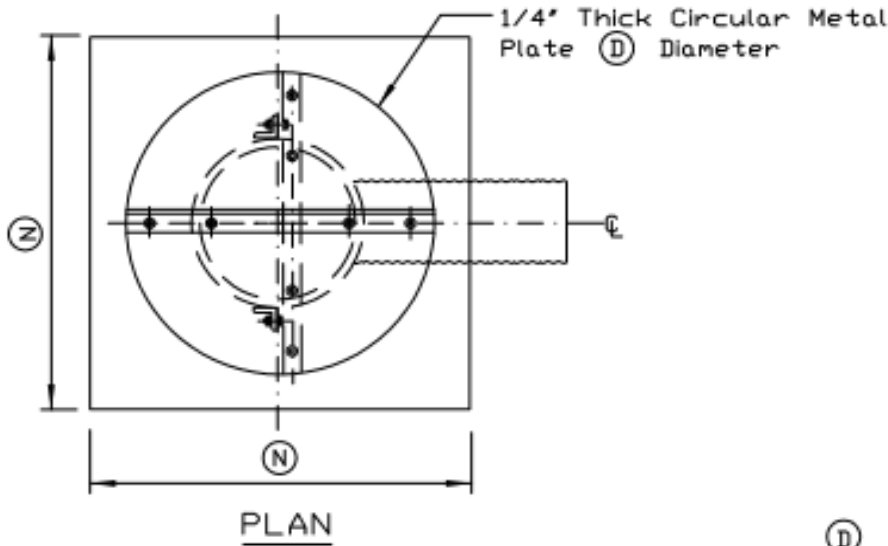


CMP DROP INLET AND BAFFLE



REFERENCE
 Project _____
 Designed _____ Date _____
 Checked _____ Date _____
 Approved _____ Date _____



STANDARD DWG. NO.
 IL-578
 SHEET 1 OF 3
 DATE 9-23-93

CMP DROP INLET AND BAFFLE

RISER DIA (A)	CONDUIT DIA (B)	ANTI-VORTEX BAFFLE DIMENSIONS				BASE DIMENSIONS	
		(D)	(E)	(F)	(G)	(M)	(N)
12"	6",8"	24"	4"	16"	4 1/2"	6"	3'-0"
15"	8",10"	30"	5"	17"	6"	7 1/2"	3'-3"
18"	10",12"	36"	6"	18"	7 1/2"	3"	3'-6"
24"	15",18"	48"	8"	20"	10 1/2"	6"	4'-0"
30"	21",24"	60"	10"	22"	13 1/2"	3"	4'-6"
36"	24",30"	72"	12"	24"	16 1/2"	6"	5'-0"

RISER DIA (A)	REINFORCING BARS			VOLUME OF CONCRETE
	NUMBERS	(L)	TOTAL WEIGHT	
12"	6"	2'-6"	10.0 LB.	0.3 CU.YD.
15"	6"	2'-9"	11.0 LB.	0.4 CU.YD.
18"	8"	3'-0"	16.0 LB.	0.5 CU.YD.
24"	8"	3'-6"	18.7 LB.	0.6 CU YD.
30"	10"	4'-0"	26.7 LB.	0.8 CU.YD.
36"	10"	4'-6"	30.0 LB.	0.9 CU.YD.

NOTES:

1. There are no riser height restrictions as long as the riser is located in compacted earth fill.
2. The corrugated metal riser with 4 feet conduit stub shall be fabricated from galvanized steel or aluminum. If fabricated from steel, any zinc coating damaged by welding shall be repaired as follows:
 - A) All loose and cracked coating shall be removed by wire brushing and all dirt and greasy material by a suitable solvent.
 - B) The damaged area shall be painted with two coats of Zinc Dust-Zinc Oxide primer, followed by a heavy coat of Fibrated Asphalt Mastic.
3. The angles and anti-vortex baffle plate shall be fabricated from the same material as the riser to which they will be attached. If fabricated from steel, the angles and anti-vortex baffle plate shall be galvanized after cutting and drilling.
4. The anti-vortex baffle plate can be left square, if all corners are rounded with a 6 inch radius.
5. All bolts, nuts and washers shall be galvanized steel.
6. Corrugated aluminum risers and conduits shall be separated from the reinforced concrete base by at least 2 layers of plastic tape with a total thickness of at least 24 mils or by a heavy coat of Alkali-Resistant Bituminous paint.

REFERENCE
 Project _____
 Designed _____ Date _____
 Checked _____ Date _____
 Approved _____ Date _____

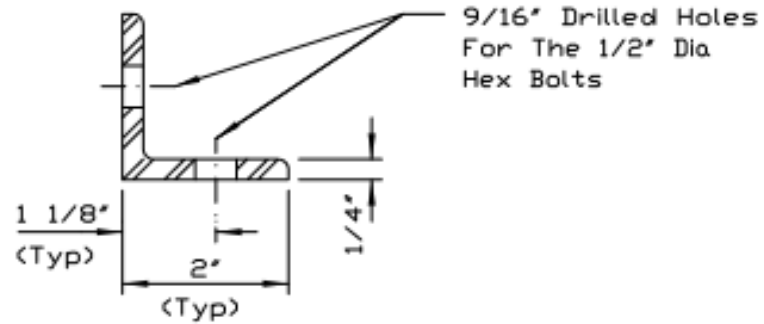


NRCS

Natural Resources Conservation Service

STANDARD DWG. NO.
 IL-578
 SHEET 2 OF 3
 DATE 3-1-95

CMP DROP INLET AND BAFFLE



ANGLE DETAIL

TABLE SHOWING DIMENSIONS AND MATERIAL

DIMENSIONS	
Nominal Length (H) In Feet	
Gage Of Riser In Inches	
Gage Of Conduit In Inches	
∠ Angle In Degrees	
MATERIAL	
(D) Long 2'x 2'x 1/4' Angles	2
(F) Long 2'x 2'x 1/4' Angles	4
2' Long 2'x 2'x 1/4' Angle Clips	2
(D) Dia. 1/4' Thick Metal Plate	1
1/2"x1 1/2' Hex Bolts	20
1/2' Split Lockwashers	20
1/2' Hex Nuts	20
Number Of (L) Long #4 Reinforcing Bars	
Weight Of #4 Reinforcing Bars In Pounds	
Volume of Concrete In Cubic Yards	

REFERENCE
 Project _____
 Designed _____ Date _____
 Checked _____ Date _____
 Approved _____ Date _____



STANDARD DWG. NO.
 IL-578
 SHEET 3 OF 3
 DATE 3-1-95