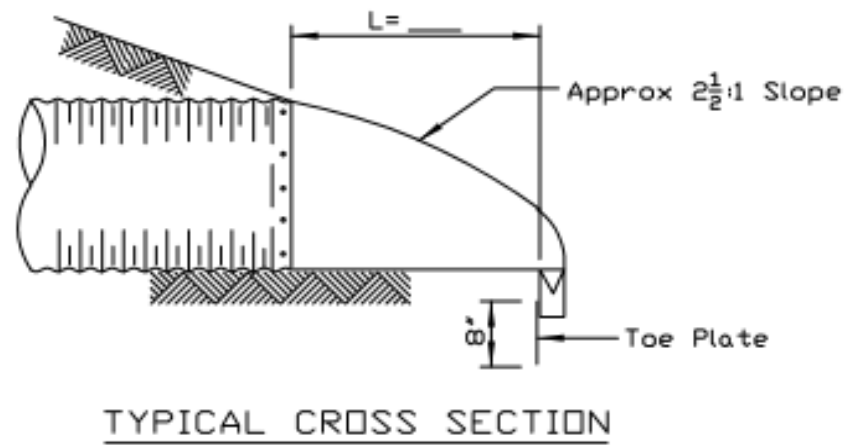
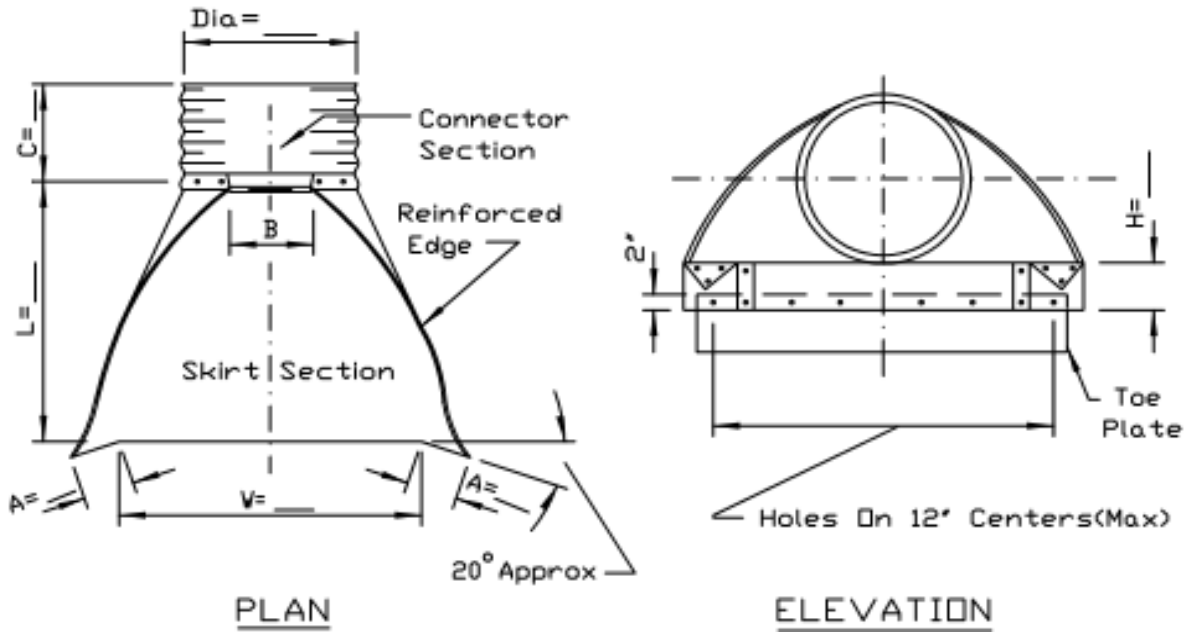


CULVERT FLARED END SECTION

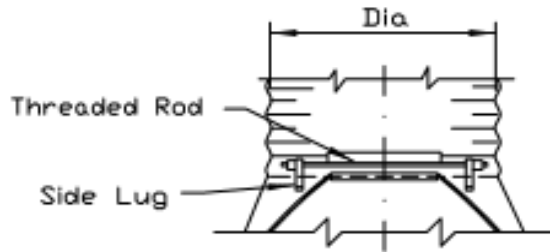


REFERENCE
 Project _____
 Designed _____ Date _____
 Checked _____ Date _____
 Approved _____ Date _____



STANDARD DWG. NO.
IL-545
 SHEET 1 OF 2
 DATE 3-1-95

CULVERT FLARED END SECTION



ALTERNATE CONNECTION

PIPE DIA	SHEET THICKNESS	DIMENSIONS					
		A * 1'	B MAX	H * 1'	L * 1 1/2'	W * 2'	C
12"	.064"	6"	6"	6"	21"	24"	24"
15"	.064"	7"	8"	6"	26"	30"	24"
18"	.064"	8"	10"	6"	31"	36"	24"
24"	.064"	10"	13"	6"	41"	48"	24"
30"	.079"	12"	16"	8"	51"	60"	24"
36"	.079"	14"	19"	9"	60"	72"	36"
42"	.109"	16"	22"	11"	69"	84"	36"
48"	.109"	18"	27"	12"	78"	90"	24"
54"	.109"	18"	30"	12"	84"	102"	36"
60"	.109"-.138"	18"	33"	12"	87"	114"	36"

* = Tolerance

NOTES:

1. Toe plate, where needed, to be punched to match holes in skirt lip. 3/8" galv, bolts to be furnished. Length of toe plate is W+10' for 12" to 30" dia. pipe and W+22' for 36" to 60" dia. pipe.
2. Skirt section for 12" to 30" dia. pipe to be made in one piece.
3. Skirt section for 36" to 54" pipe to be made from two sheets joined by riveting or bolting on center line, 60" may be constructed in 3 pieces.
4. Connector section, corner plate and toe plate to be same sheet thickness as skirt.
5. End sections and fittings are to be galvanized steel or aluminum alloy for use with like pipe.
6. Where flared end sections are to be used with bituminous coated and paved metal pipe, they are to be galvanized only.

REFERENCE
 Project _____
 Designed _____ Date _____
 Checked _____ Date _____
 Approved _____ Date _____



STANDARD DWG. NO.
 IL-545
 SHEET 2 OF 2
 DATE 3-1-95