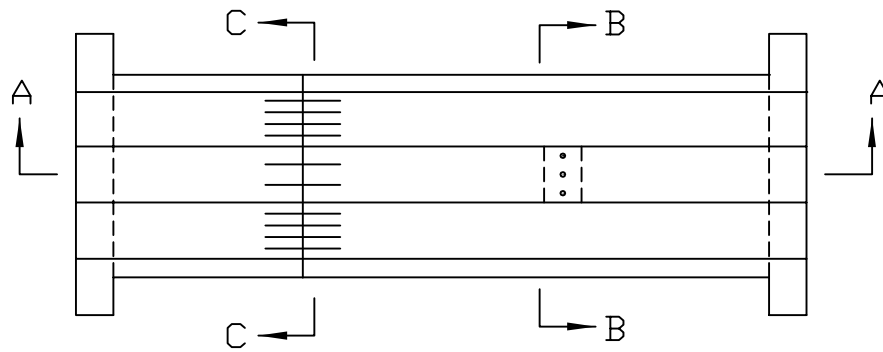
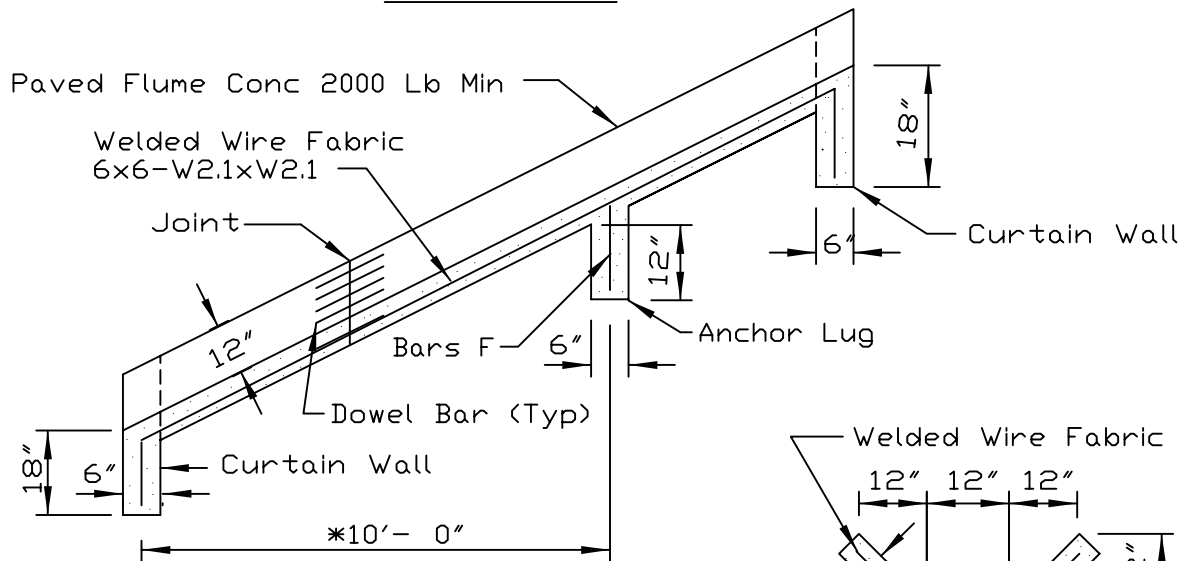


# PAVED FLUME

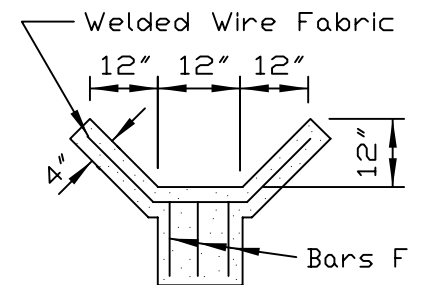


PLAN VIEW



SECTION A-A

\*The maximum typical spacing between Anchor Lugs and Curtain Walls shall be 10'- 0" from center to center.

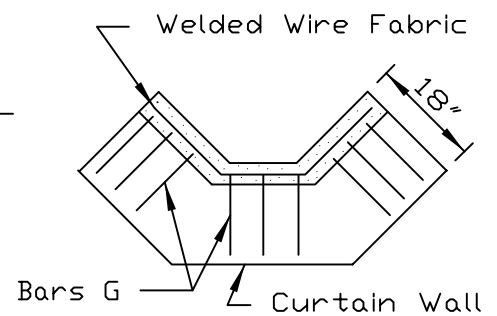


SECTION B-B

## SCHEDULE OF REINFORCING STEEL

MARK	NO.	LENGTH	SIZE	SPACING C-C	TYPE
F	3	1'- 1"	4"	4"	Str
G	9	1'- 3"	4"	6'	Str
Dowels	10	1'- 6"	4"	5"	Str

No. shown are for each anchor lug, curtain wall and joint.



SECTION C-C

REFERENCE  
 Project \_\_\_\_\_  
 Designed \_\_\_\_\_ Date \_\_\_\_\_  
 Checked \_\_\_\_\_ Date \_\_\_\_\_  
 Approved \_\_\_\_\_ Date \_\_\_\_\_



**NRCS**

Natural Resources Conservation Service

STANDARD DWG. NO.  
 IL-567  
 SHEET 1 OF 1  
 DATE 9-23-93