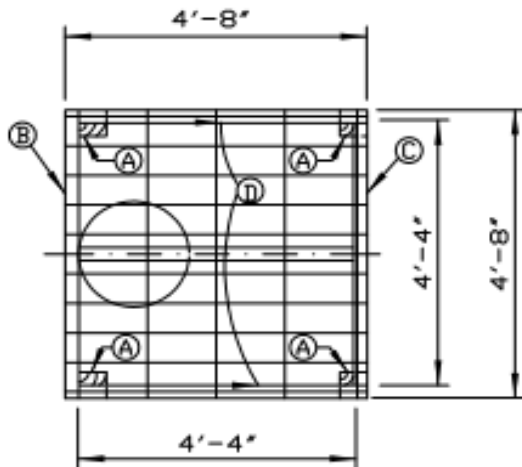
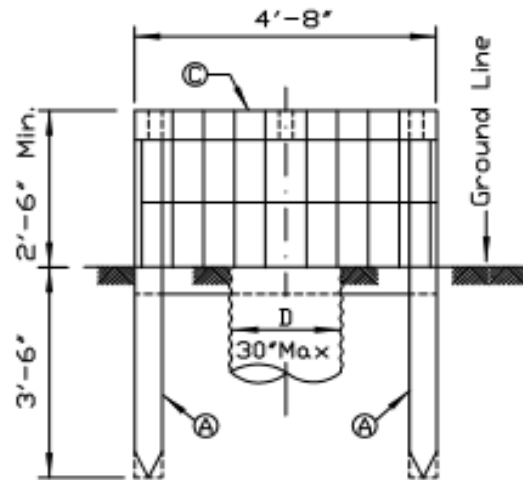


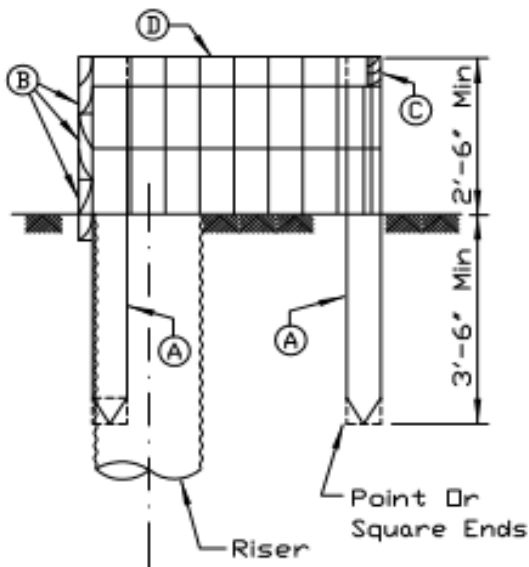
HEADWALL & SAFETY GUARD FOR PIPE RISERS



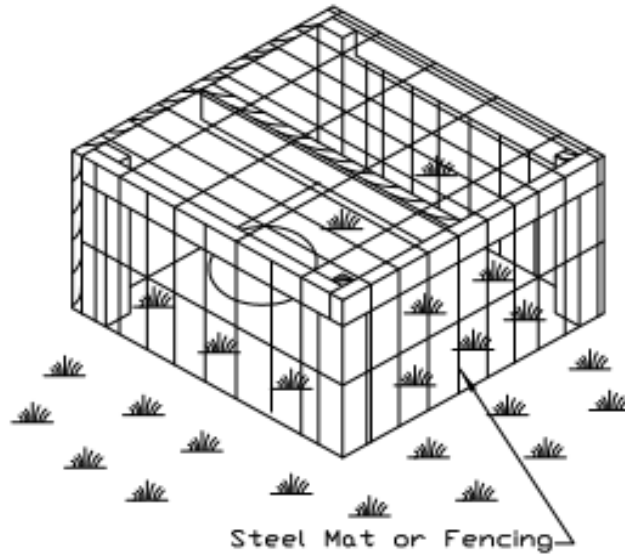
PLAN VIEW



FRONT ELEVATION



SIDE ELEVATION



ISOMETRIC VIEW

REFERENCE
 Project _____
 Designed _____ Date _____
 Checked _____ Date _____
 Approved _____ Date _____



STANDARD DWG. NO.
 IL-576
 SHEET 1 OF 2
 DATE 4-1-94

HEADWALL & SAFETY GUARD FOR PIPE RISERS

ESTIMATED QUANTITIES			
MARK	NO.	SIZE	LENGTH
A	4	4' x 4'	6'- 0"
B	3	2' x 12'	4'- 8"
C	1	2' x 6'	4'- 8"
D	3	2' x 6'	4'- 4"
Board Feet - 77			

NOTES:

1. All wood shall be pressure-treated with a creosote-coaltar solution or a pentachlorophenol solution.
2. All joints shall be nailed with spikes using at least 2 in each joint.
3. Posts shall be 4' square, notched as shown, with bottom left square if not driven.
4. The steel mat covering shall be 6x12 style two-way welded galvanized wire fabric or welded galvanized cattle panels with 1/4" rods and 4'x 8' openings. All splices shall be made at the corners. The edge of the mat shall be made at corners. The edge of the mat shall be bent at least 2' around the corners and the mat fasten to the frame by 2' long galvanized staples on 6' centers.

REFERENCE

Project _____
Designed _____ Date _____
Checked _____ Date _____
Approved _____ Date _____



NRCS

Natural Resources Conservation Service

STANDARD DWG. NO.

IL-576

SHEET 2 OF 2

DATE 2-18-94