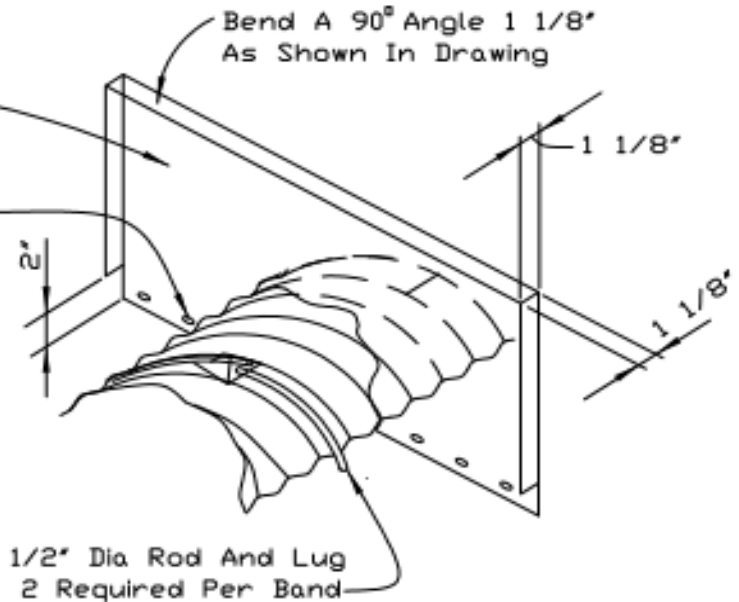
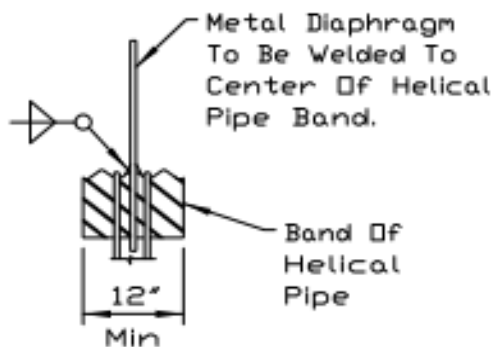


CORRUGATED METAL PIPE DIAPHRAGM

Flat Sheet Metal Diaphragm Shall Be Cut To Fit Corrugations Of Helical Band And Welded With A Continuous Weld.

Size And Spacing Of Slotted Openings Shall Be The Same As Shown For C.M. Diaphragms.



1/2" Dia Rod And Lug
2 Required Per Band

NOTE: For Details of Fabrication Dimensions, Slotted Holes And Notes, See Notes And Dimension Table Shown On Sheet 2.

PARTIAL ELEVATION

ISOMETRIC VIEW

DETAILS OF HELICAL PIPE DIAPHRAGMS

NOTES:

1. Materials and coatings for all diaphragms shall be the same as that specified for the pipe.
2. Diaphragms shall be shop fabricated, assembled and marked by painting to identify matching half sections of each diaphragm.
3. The laps between the half sections and between the pipe and connecting bands shall be caulked with fibrated asphalt mastic at the time of installation.
4. All tank lugs, rods and nuts shall be galvanized steel. Where aluminum diaphragms are used, the rods and lugs shall be separated from the aluminum bands by at least two (2) layers of 2" wide plastic tape with a total thickness of 24 mils or more.
5. The diaphragms shall be welded to the connecting bands as shown on the drawings. All welds and damaged galvanized metal shall be cleaned and painted with 2 coats of zinc dust-zinc oxide primer. (Fed Spec TT-P-641 Type III)
6. Bands shall be fabricated from material having the same class of corrugation as the pipe to which it is to be attached.

REFERENCE	Project _____
Designed _____	Date _____
Checked _____	Date _____
Approved _____	Date _____



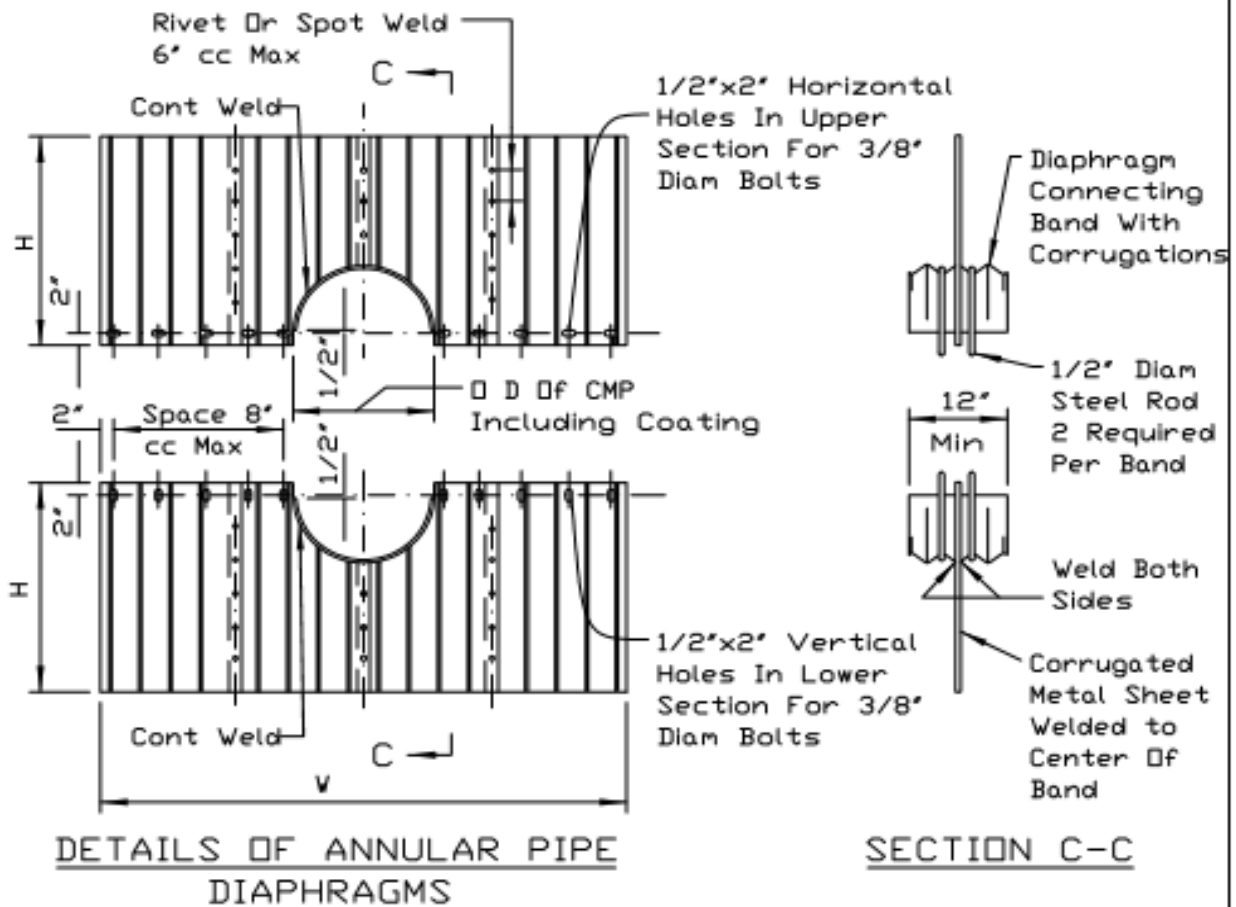
STANDARD DWG. NO. IL-579
SHEET 1 OF 2
DATE 3-1-95

CORRUGATED METAL PIPE DIAPHRAGM

DIAPHRAGM DIMENSION TABLE

Pipe Dia.	Nominal Diaphragm Size	Fabrication Dimensions	
		V	H
15", 18" 21", 24"	8'x 6'	8'- 0"	3'- 2"
27", 30"	8'x 7'	8'- 0"	3'- 8"
36", 42" 48"	10'x 7'	10'- 0"	3'- 8"

Diaphragm dimensions shown may be increased to allow fabrication from standard size sheet.



REFERENCE
 Project _____
 Designed _____ Date _____
 Checked _____ Date _____
 Approved _____ Date _____



STANDARD DWG. NO.
 IL-579
 SHEET 2 OF 2
 DATE 8-1-94