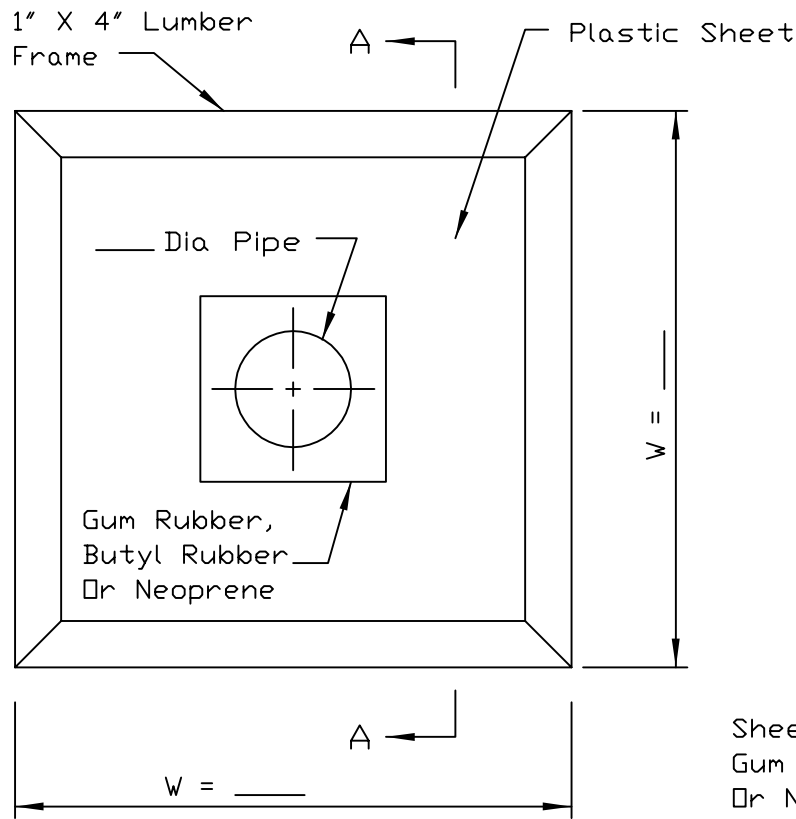
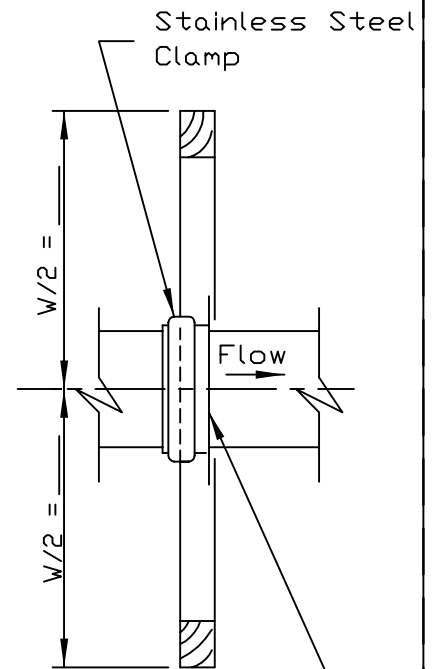


FLEXIBLE ANTISEEP COLLAR



ELEVATION



Sheet Of Non-Reinforced
Gum Rubber, Butyl Rubber
Or Neoprene Membrane

SECTION A-A

NOTES:

1. Helical pipe shall have a mastic sealer applied at the collar location. The sealer will not be required for PVC or annular pipe.
2. The center membrane section may be 1/16 inch gum rubber, butyl rubber or neoprene. The entire antiseep may be made of these materials.
3. The outer portion of the antiseep collar, away from the pipe, may be made of a minimum 20 mil plastic sheet.
4. Cut a hole, 3 inches smaller than the diameter of the pipe, centered on the material used at the pipe and force it over the end of the pipe.
5. The antiseep material shall be fastened to the pipe using a stainless steel clamp.
6. Completed installation must be watertight.
7. Care must be taken to back fill equally on both sides of the antiseep collar.

REFERENCE	
Project	_____
Designed	_____ Date _____
Checked	_____ Date _____
Approved	_____ Date _____



STANDARD DWG. NO.	
IL-593	
SHEET	1 OF 1
DATE	7-12-95