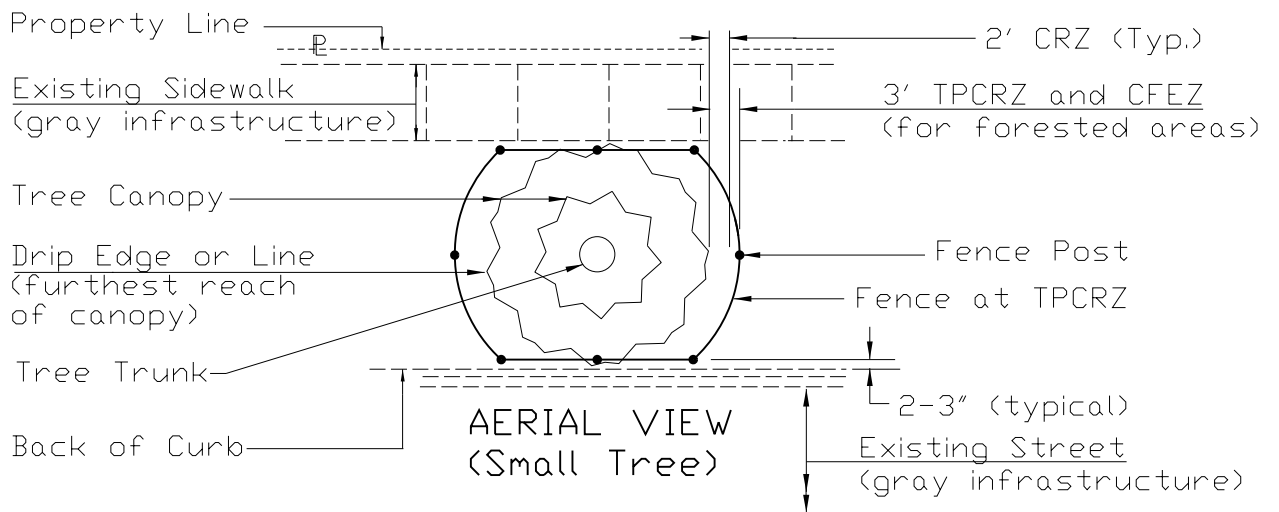
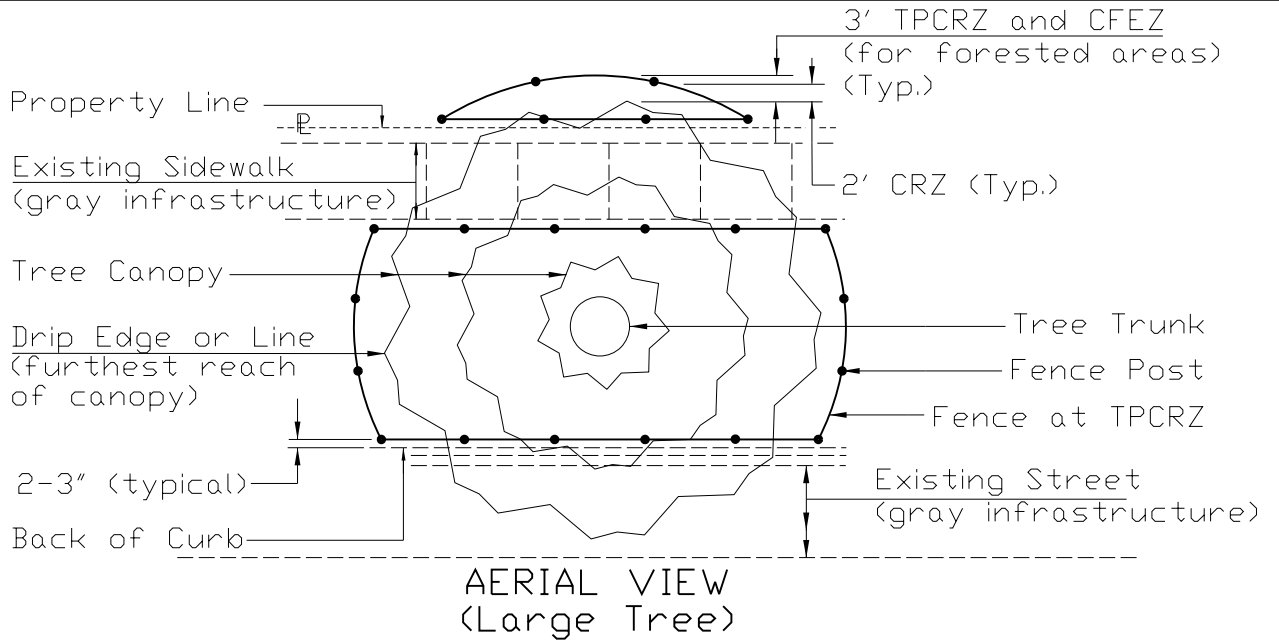


TREE PROTECTION - FENCING

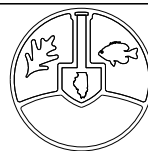
(Highly Urbanized Areas)



Notes:

1. Call J.U.L.I.E. (800-892-0123) for the location of existing utilities 48 hours prior to commencement of work.
2. The CRZ is located 2' from the farthest outreaching branch (drip edge) or the distance as determined by the ISA trunk diameter method or whichever is greater.
3. On sides of the tree not constricted by gray infrastructure, the fence shall be located 1 foot from the Critical Root Zone (CRZ) of the protected tree, thus creating the Tree Protection Critical Root Zone (TPCRZ). The Critical Forest Edge Zone (CFEZ), for forested areas, shall also be located at the TPCRZ.

REFERENCE Project _____ Designed _____ Date _____ Checked _____ Date _____ Approved _____ Date _____	
--	--



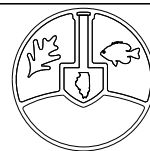
STANDARD DWG. NO.
IUM-690-B
 SHEET 1 OF 2
 DATE 09-14-2017

TREE PROTECTION - FENCING
(Highly Urbanized Areas)

Notes: (cont.)

4. On sides of the tree where there is gray infrastructure conflict the fence shall be 3 to 4 inches from the structure. Where the structure is a sidewalk and the CRZ goes beyond the sidewalk to the adjoining greenspace, the Tree Protection Fencing shall continue to the CRZ without impeding the flow of the traffic of the sidewalk.
5. Fence Posts shall be either 6' steel posts @ 1.33Lbs./Ft. or 2" x 2" nominal wood posts.
6. A chain link fence with Construction Specification Chain Link Fence IUM 91 or better (as approved by the local Forester per local ordinances singularly or in tandem with the project Engineer) shall be used. Fencing shall be a minimum height of 4'. Metal posts shall be placed 6' on center (OC) and fencing is securely anchored to the ground.
7. Outside the TPCRZ, erosion and sediment control measures shall be installed to prevent sediment reaching the TPCRZ. These measures shall extend out from the fence 10' and shall be continuous around the perimeter of the fence. These measures include, but are not limited to vegetative filter strip, rolled excelsior blankets and woodchip mulch with a 3" to 5" depth. Other methods may be used if approved by the Professional Forester, Certified Arborist or Horticulturalist. Installation shall cause no disturbance to soils.

REFERENCE	
Project	_____
Designed	_____ Date _____
Checked	_____ Date _____
Approved	_____ Date _____



STANDARD DWG. NO.
IUM-690-B
SHEET 2 OF 2
DATE 09-14-2017